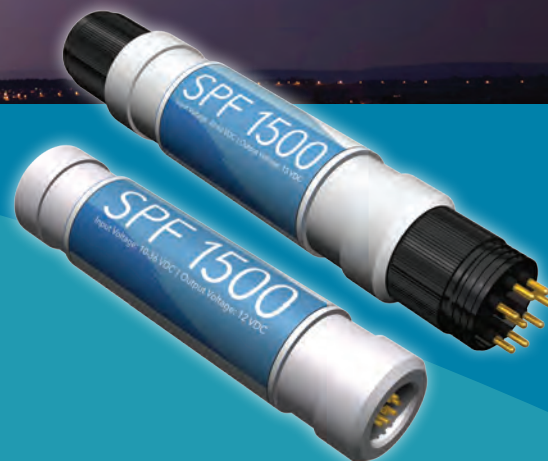




# SPF 1500™

## SonTek Protection Filter

ISOLATION, PROTECTION AND LONG CABLE SUPPORT SYSTEM



**Let's face it - long cable runs can be a challenge and the last thing you want to deal with is power drop-offs or extreme electrical surges that can potentially damage sensitive (and expensive) equipment. The new SPF 1500 provides you added assurance against both man-made and environmental communication and voltage problems.**

**Isolation Protection.** 100% isolation of both communication and power lines, with no physical connection for either set of lines. With no common ground, excessive voltage in one end never reaches the other.

**Voltage Regulation.** Continually regulates incoming voltage assuring steady voltage and current is supplied to the equipment.

**Long Cable Support.** The SPF1500 automatically handles voltage and communication protocol requirements internally, without tedious and time consuming factory upgrades or complicated external equipment.

### Features Include:

- Works with almost all SonTek products
- RS232 to RS422 conversion for communications over long cables
- Increased voltage range to compensate for long cable runs without concern of damaging system
- Optical isolation for communication lines and galvanic isolation for power lines
- High data rate support (up to 256 kbps over 1000 m (3300 ft)) cable



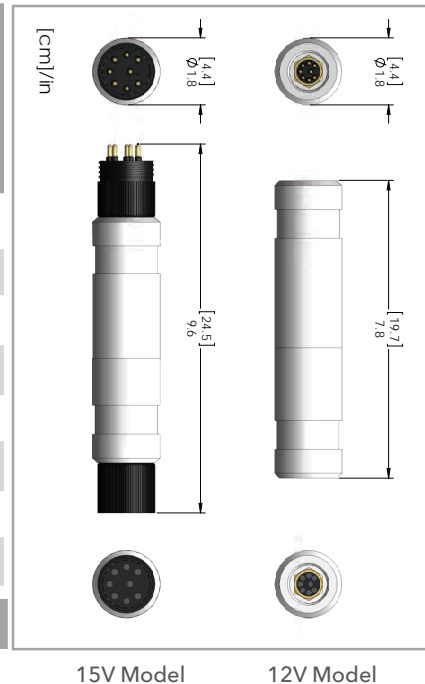
a xylem brand

# SPF 1500 ISOLATION, PROTECTION AND LONG CABLE SUPPORT

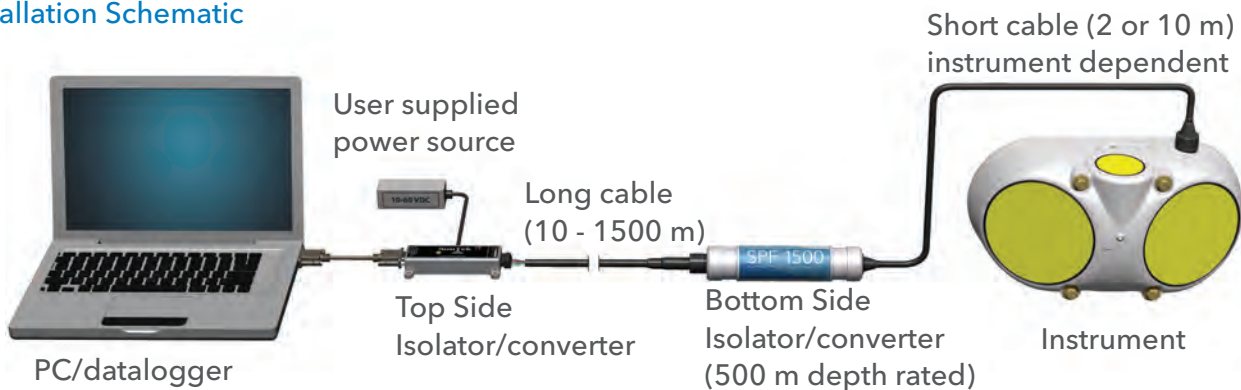
	Top Side	Bottom Side 12V	Bottom Side 15V
ADP	✓		✓
ADV	✓		✓
Argonaut-XR	✓		✓
Argonaut-MD	✓		✓
Argonaut-SL	✓	✓	
Argonaut-SW	✓	✓	
Argonaut-ADV	✓	✓	
SonTek-IQ	✓	✓	

	Top Side	Bottom Side
Power lines isolation (V @ 1mA)	1500	2000
Data lines isolation (V @ 1mA)	5000	5000
Power and data lines ESD (V)	±15000	±15000
Power and data lines fast transient (V)	±4000	±4000
Data lines surge (A)	1000	1000
Power lines surge (A)	500	500
Operating temperature (°C)	-10 to +50	-10 to +50
Pressure rating (m)	N/A	500



## Installation Schematic



Founded in 1992 and advancing environmental science globally, SonTek manufactures acoustic Doppler instrumentation for water velocity measurement in oceans, rivers, lakes, harbors, canals, estuaries, industrial pipes and laboratories. SonTek's sophisticated and proprietary technology serves as the foundation for some of the industry's most trusted flow data collection systems. SonTek is headquartered in San Diego, California, and is a division of Xylem Inc.

[www.sontek.com](http://www.sontek.com)

SonTek  
9940 Summers Ridge Road  
San Diego CA 92121  
Tel +1.858.546.8327  
Fax +1.858.546.8150  
[www.sontek.com](http://www.sontek.com)

YSI, Inc.  
1700/1725 Brannum Lane  
Yellow Springs, Ohio 45387  
Tel +1.937.767.7241  
Fax +1.937.767.9353  
[www.ysi.com](http://www.ysi.com)

Xylem, Inc.  
1133 Westchester Avenue  
White Plains, NY 10604  
Tel +1.914.323.5700  
Fax +1.914.323.5800  
[www.xyleminc.com](http://www.xyleminc.com)