



O<sub>2</sub>

# Optical D.O. Sensor reduces energy costs

DURABLE WITH LONG-TERM STABLE FACTORY CALIBRATION



a xylem brand



# Increase efficiency...

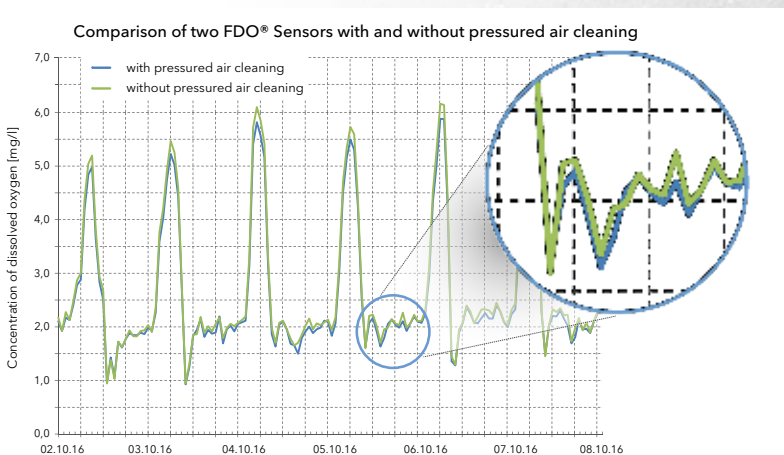
- Calibration free and low consumption costs
- Low operating costs and minimal maintenance
- Reduced energy costs

## Calibration free sensor with low consumption costs saves time, work and money

The long lifetime of the calibration free sensor cap (3-5 years) reduces consumption costs and workload. The fast and easy cap change saves a lot work and time. Connect, immerse, measure.

## Low operating costs and low maintenance effort

The measuring surface rejects air bubbles and ensures highest measuring certainty and accuracy. Further, the moveable sensor mounting enables a self cleaning effect at the measuring window. Additional cleaning with pressured air are possible for special applications, but not required for typical municipal wastewater treatment plants (see figure below).





## Connectable to the IQ SENSOR NET



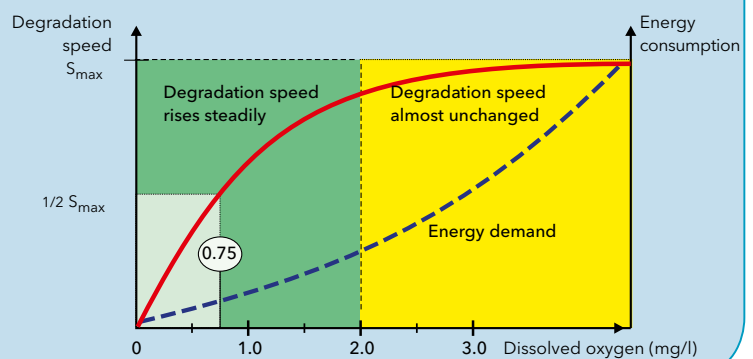
- For systems 2020 and 282/284
- Can be combined with more parameters (e.g.  $\text{NH}_4$ ,  $\text{NO}_3$ ,  $\text{NO}_2$ , COD, Turb, TS,  $\text{PO}_4$ )

## Reduce energy costs by optimal aeration

Not too much, but always enough. Precise measurements allow the control of the oxygen concentration to the perfect value. A moveable mounting with swing mounting prevents too high readings and algae growth.

By means of the FDO® 700 IQ you can increase efficiency and keep costs under control

Dependency of  $\text{NH}_4$ -N degradation from oxygen concentration

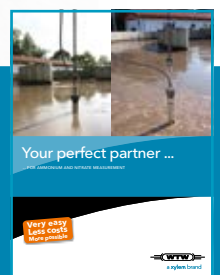


## You want more?

Even more efficiency? Even lower costs?

Even higher transparency?

If so, our VARiON® 700 IQ for  $\text{NH}_4$  and  $\text{NO}_3$  is just the right sensor.



Your perfect partner ...

Very easy  
Less costs  
More control



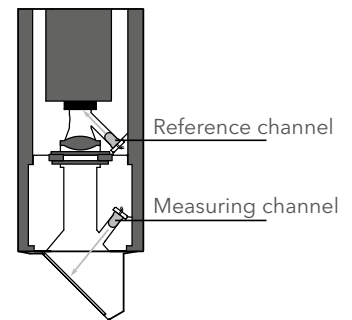
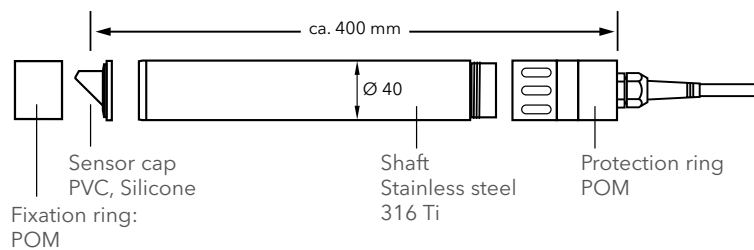
For more detailed information please visit our website:  
[www.WTW.com/en/iq-sensors](http://www.WTW.com/en/iq-sensors) (For convenience use our QR code).

## Technical Data

	FDO® 700 IQ (SW)	FDO® 701 (SW)
Measuring range	0 ... 20.00 mg/l (0 ... 20.00 ppm) 0 ... 200.0%	
Resolution	0.01 mg/l (0.01 ppm) 0.1%	
t <sub>90</sub> (at 25°C)	< 150 s	< 60 s
Incident flow	Not required	
Sensor monitoring	Monitoring of membrane function	
Pressure resistency	Up to 10 bar	
Operating temperature	-5 °C ... +50 °C	-5 °C ... +40 °C

## Dimensions FDO® 700

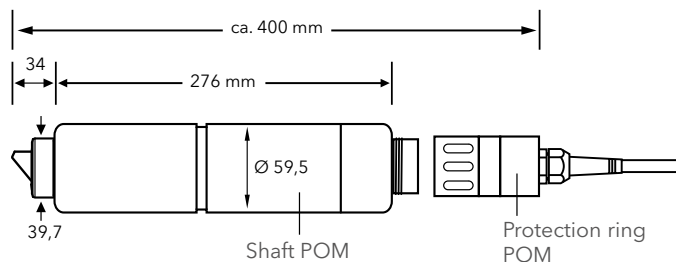
700/701 IQ



### EPRS referencing method

Measuring and reference channel (optical path for comparative measurement/zero point) are identical  
⇒ Ideal optical adjustment to minimise drift of the measuring signal

700/701 IQ SW



## Order Information

Model	Description	Order No.
FDO® 700 IQ	Digital calibration free optical oxygen sensor, with factory calibrated membrane cap SC-FDO® 700, without connection cable.	201650
FDO® 701 IQ	Digital calibration free optical oxygen sensor with faster response time, with factory calibrated membrane cap SC-FDO® 701, without connection cable.	201660
FDO® 700 IQ SW	Like FDO® 700 IQ, but higher resistency to corrosion	201652
FDO® 701 IQ SW	Like FDO® 701 IQ, but higher resistency to corrosion	201653
SC-FDO® 700	Sensor cap for FDO® 700 IQ (SW)	201654
SC-FDO® 701	Sensor cap with faster response time for FDO® 701IQ (SW)	201655
MSK FDO® CS	Membrane protection cap, for protection against fishes and rock slide	205253
SACIQ-1,5	Sensor adapter cable, with IP 68 waterproof connection, length 1.5 m	480040
SACIQ-7,0	Sensor adapter cable, with IP 68 waterproof connection, length 7 m	480042
SACIQ-15,0	Sensor adapter cable, with IP 68 waterproof connection, length 15 m	480044



**Xylem Analytics Germany Sales GmbH & Co. KG, WTW** · Dr.-Karl-Slevogt-Straße 1 · D-82362 Weilheim · Germany  
Phone: +49 881 183-0 · Fax: +49 881 183-420 · E-Mail: Info.WTW@Xyleminc.com · [www.WTW.com](http://www.WTW.com)

All names are registered tradenames or trademarks of Xylem Inc. or one of its subsidiaries. Technical changes reserved.  
© 2017 Xylem Analytics Germany Sales GmbH & Co. KG. 999004US March 2017

